

# BallastWise<sup>®</sup>



## FLUORESCENT BALLAST SPECIFICATIONS

### DESCRIPTION

CATALOG	TYPE	NUMBER OF LAMPS	LAMP TYPE
DXE175HID1	Electronic	1	MH Lamp 175W

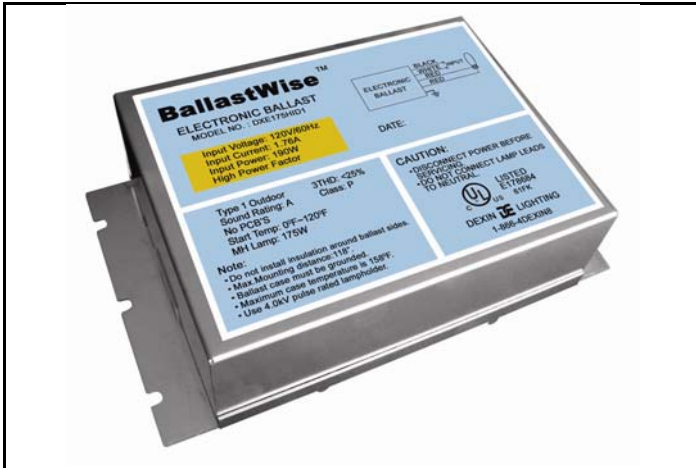
### ELECTRICAL CHARACTERISTICS

INPUT VOLTAGE	LAMP WATTS	INPUT WATTS	INPUT CURRENT	PF	FREQUENCY	SOUND RATED
120V	175W	190W	1.76A	>0.90	60Hz	A
START TEMP	CLASS	TYPE	BALLAST FACTOR	BEF	THD (1)	NO PCB'S
0°F ~ 120°F	P	1 Outdoor	1.00	0.526	<25%	

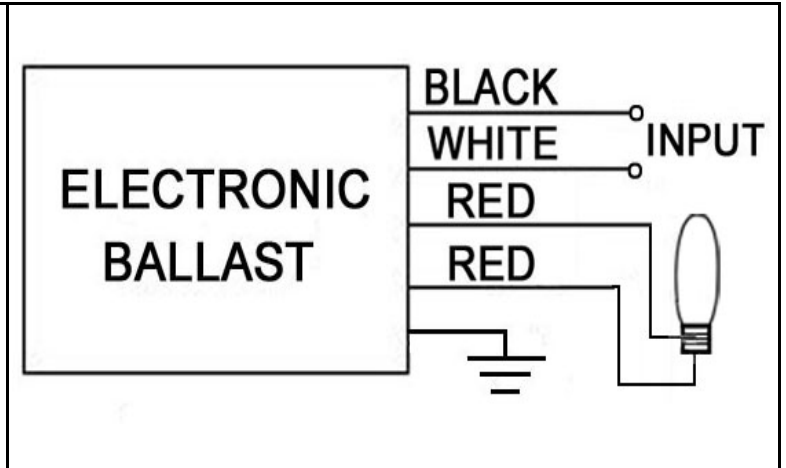
### PHYSICAL CHARACTERISTICS

	CASE DIMENSIONS				
	UNITS	M	L	H	
	INCHES	7.52"	7.72"	4.61"	1.93"
	TOL(+/-)	0.39	0.39	0.39	0.39
LEAD LENGTH					
UNITS	BLACK	WHITE	RED	RED	
INCHES	14.17"	14.17"	14.17"	14.17"	
TOL(+/-)	0.39	0.39	0.39	0.39	

### PRODUCT PHOTO



### ELECTRICAL DIAGRAM



### PRODUCT LABEL

## BallastWise<sup>™</sup>

**ELECTRONIC BALLAST**  
MODEL NO. : DXE175HID1

Input Voltage: 120V/60Hz  
Input Current: 1.76A  
Input Power: 190W  
High Power Factor

Type 1 Outdoor      3THD: <25%  
Sound Rating: A      Class: P  
No PCB'S  
Start Temp: 0°F~120°F  
MH Lamp: 175W

**Note:**

- Do not install insulation around ballast sides.
- Max.Mounting distance:118".
- Ballast case must be grounded.
- Maximum case temperature is 158°F.
- Use 4.0kV pulse rated lampholder.

DATE:

**CAUTION:**

- DISCONNECT POWER BEFORE SERVICING.
- DO NOT CONNECT LAMP LEADS TO NEUTRAL.

LISTED E178684  
 C US 61FK  
**DEXIN DE LIGHTING**  
 1-866-4DEXIN8