

BallastWise[®]



FLUORESCENT BALLAST SPECIFICATIONS

DESCRIPTION

CATALOG	TYPE	NUMBER OF LAMPS	LAMP TYPE
DXE250HID1	Electronic	1	MH Lamp 250W

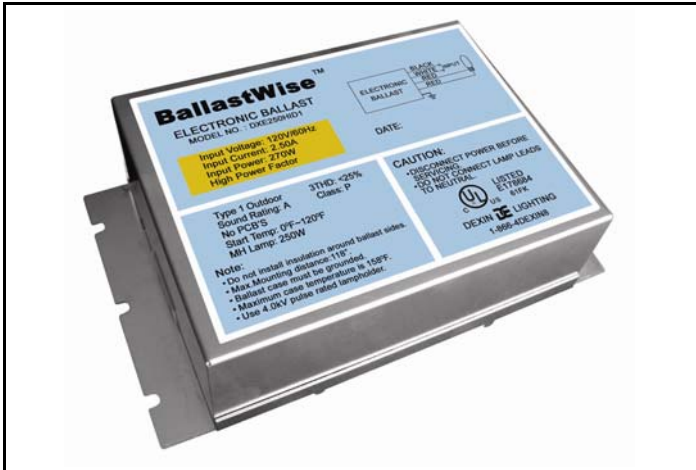
ELECTRICAL CHARACTERISTICS

INPUT VOLTAGE	LAMP WATTS		INPUT WATTS	INPUT CURRENT	PF	FREQUENCY	SOUND RATED
120V	250W		270W	2.50A	>0.90	60Hz	A
START TEMP	CLASS	TYPE	BALLAST FACTOR	BEF	THD (1)	NO PCB'S	
0°F ~ 120°F	P	1 Outdoor	1.00	0.371	<25%		

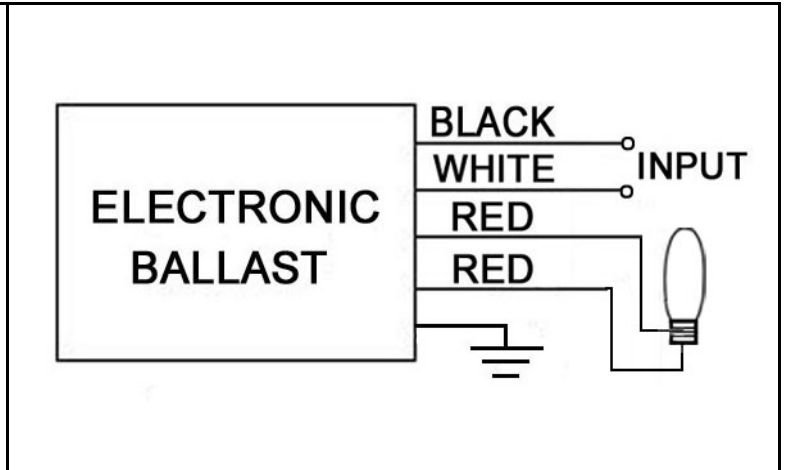
PHYSICAL CHARACTERISTICS

	CASE DIMENSIONS				
	UNITS	M	L	W	H
	INCHES	7.52"	7.72"	4.61"	1.93"
	TOL(+/-)	0.39	0.39	0.39	0.39
LEAD LENGTH					
UNITS	BLACK	WHITE	RED	BLUE	
INCHES	14.17"	14.17"	14.17"	14.17"	
TOL(+/-)	0.39	0.39	0.39	0.39	

PRODUCT PHOTO



ELECTRICAL DIAGRAM



PRODUCT LABEL

BallastWise[™]

ELECTRONIC BALLAST
MODEL NO. : DXE250HID1

Input Voltage: 120V/60Hz
Input Current: 2.50A
Input Power: 270W
High Power Factor

Type 1 Outdoor 3THD: <25%
Sound Rating: A Class: P
No PCB'S
Start Temp: 0°F~120°F
MH Lamp: 250W

Note:

- Do not install insulation around ballast sides.
- Max.Mounting distance:118".
- Ballast case must be grounded.
- Maximum case temperature is 158°F.
- Use 4.0kV pulse rated lampholder.

ELECTRONIC BALLAST

DATE:

CAUTION:

- DISCONNECT POWER BEFORE SERVICING.
- DO NOT CONNECT LAMP LEADS TO NEUTRAL.

LISTED
E178684
61FK

DEXIN LIGHTING

1-866-4DEXIN8