

BallastWise



FLUORESCENT BALLAST SPECIFICATIONS

DESCRIPTION

CATALOG	TYPE	STARTING METHOD	NUMBER OF LAMPS	LAMP TYPE
DXE2H8UD	ELECTRONIC	Program Rapid Start	2	F32T8, F32T8/U, F31T8/U

ELECTRICAL CHARACTERISTICS

INPUT VOLTAGE	LAMP WATTS	INPUT WATTS	INPUT CURRENT	SOUND RATED	FREQUENCY	OCV		
120V to 277V	32W, 32W, 31W	64W/64W	0.54A/0.24A	A	50/60HZ	350VRMS		
MIN START TEMP	BALLAST FACTOR	CLASS	TYPE	PF	BEF	DIMMING RANGE	THD	NO PCB'S
32° F~120° F	1.0	P	1 Outdoor	>0.99	1.56	100%~5%	<10%	

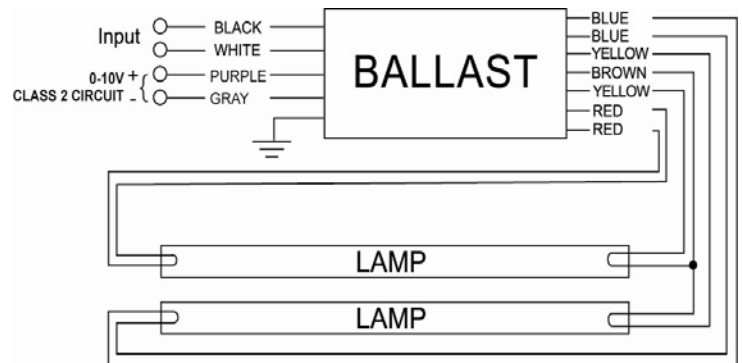
PHYSICAL CHARACTERISTICS

	CASE DIMENSIONS						
	UNITS	M	L	W	H		
	INCHES	16.2	16.88	1.20	1.00		
	TOL (+/-)	0.05	0.05	0.05	0.05		
	CONNECTOR WIRETRIP						
	BLACK/WHITE	GREEN	PURPLE	GRAY	RED/BLUE	YELLOW	BROWN
	1	1	1	1	2	2	1

PRODUCT PHOTO



ELECTRICAL DIAGRAM



PRODUCT LABEL

	BallastWise™ ELECTRONIC BALLAST Cat. No. DXE2H8UD Type 1 Outdoor Program Rapid Start Start Temp. 32 F~120 F Lamp Type: 2F32T8, 2F32T8/U, 2F31T8/U	End of Life Protection Meets FCC Part18 Class A Inherent Thermal Protection Protection Thermiques Integree Dimming Range 100%~5% Lamp Current	Input 120 to 277 V, 50/60Hz Max. Line Current 120V:0.54A 277V:0.24A Power Factor:0.99 L Line Current THD:10% Ballast must be grounded Ground to case or input terminal(G) Install in accordance with the National Electrical Code	1-866-433-9468 LISTED E178684	WARNING Risk of Electric Shock • Turn power off before servicing • properly ground ballast and fixture	
--	--	---	---	-------------------------------------	--	--

