

# BallastWise



## FLUORESCENT BALLAST SPECIFICATIONS 0-10V Electronic Dimming Ballast

### DESCRIPTION

CATALOG	TYPE	STARTING METHOD	DIMMING METHOD	NUMBER OF LAMPS	LAMP TYPE
DXE4H5UD	Electronic	Program Rapid Start	0-10V	4	F28T5

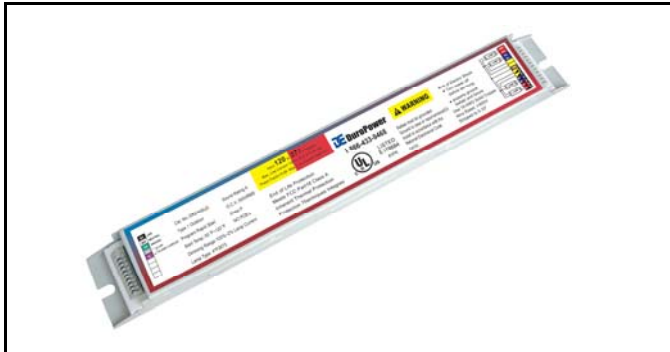
### ELECTRICAL CHARACTERISTICS

INPUT VOLTAGE	LAMP WATTS	INPUT WATTS	INPUT CURRENT	PF	FREQUENCY	SOUND RATED		
120V to 277V	28W	121W/24W	1.01/0.20A	>0.99	50/60HZ	A		
MIN START TEMP	CLASS	TYPE	BALLAST FACTOR	OCV	BEF	THD	DIMMING RANGE	NO PCB'S
50°F ~120°F	P	1 Outdoor	1.00	300VRMS	0.415	<10%	100%~2%	

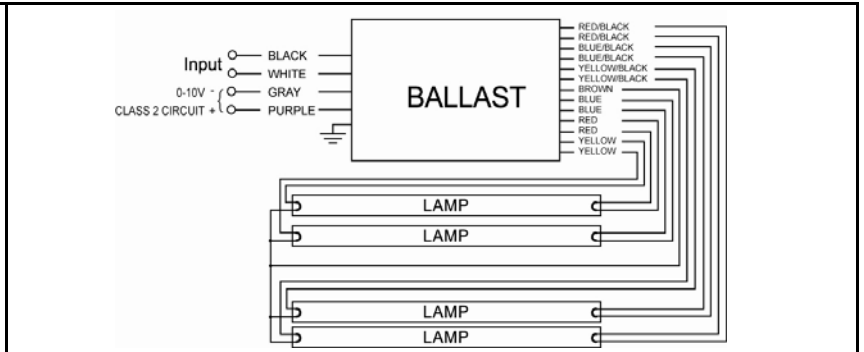
### PHYSICAL CHARACTERISTICS

	CASE DIMENSIONS									
	UNITS	M	L	W	H					
	INCHES	16.20	16.88	2.25	1.00					
	TOL.(+/-)	0.05	0.05	0.05	0.05					
<b>CONNECTOR WIRETRIP</b>										
COLOR	BLACK	WHITE	GREEN	RED	BLUE	YELLOW	BROWN	YELLOW/ BLACK	BLUE/ BLACK	RED/ BLACK
NUMBER	1	1	1	2	2	2	1	2	2	2

### PRODUCT PHOTO



### ELECTRICAL DIAGRAM



### PRODUCT LABEL

<table border="0"> <tr><td>BLK</td><td>LINE</td></tr> <tr><td>WH</td><td>NEUTRAL</td></tr> <tr><td>GN</td><td>GROUND</td></tr> <tr><td>GR</td><td>0-10V</td></tr> <tr><td>VL</td><td>CLASS 2 CIRCUIT</td></tr> </table>	BLK	LINE	WH	NEUTRAL	GN	GROUND	GR	0-10V	VL	CLASS 2 CIRCUIT	<p>Cat. No.:DXE4H5UD Type 1 Outdoor Program Rapid Start Start Temp.:50°F~120°F Dimming Range 100%~2% Lamp Current Lamp Type: 4F28T5</p>	<p>Sound Rating A O.C.V.:300VRMS Class P NO PCB'S</p>	<p>Input 120 to 277, 50/60Hz Max. Line Current 120V: 0.1A, 277V:0.20A Power Factor&gt;0.99 Max. Line Current THD&lt;10%</p>	<p><b>DuroPower</b> 1-866-433-9468</p>	<p><b>WARNING</b> Ballast must be grounded Ground to case or input terminal(G) Install in accordance with the National Electrical Code DATE:</p>	<p>Risk of Electric Shock • Turn power off before servicing • properly ground ballast and fixture Use 18 AWG Solid Copper Wire Rated ≥600V Stripped to 0.33"</p>	
BLK	LINE																
WH	NEUTRAL																
GN	GROUND																
GR	0-10V																
VL	CLASS 2 CIRCUIT																
<p>End of Life Protection Meets FCC Part18 Class A Inherent Thermal Protection Protection Thermiques Integree</p>			<p>UL LISTED E178684 61FK</p>														