

BallastWise



FLUORESCENT BALLAST SPECIFICATIONS

DESCRIPTION

CATALOG	TYPE	STARTING METHOD	NUMBER OF LAMPS	LAMP TYPE
DXE4HO5U	Electronic	Program Rapid Start	4 or 3 or 2 or 1	F54T5HO, FT55w, FT50w, FT36w, FC12T5, F58T8

ELECTRICAL CHARACTERISTICS

INPUT VOLTAGE	LAMP WATTS	INPUT WATTS	INPUT CURRENT	PF	FREQUENCY	SOUND RATED
120V to 277V	54w, 55w, 50w, 36w, 40w, 58w	237/234w	2.00/0.85A	>0.99	50/60HZ	A
MIN START TEMP	CLASS	TYPE	BALLAST FACTOR	OCV	BEF	THD(1)
0°F/-18°C	P	1 Outdoor	1.0	450VRMS	0.422/0.427	<10%
NO PCB'S						

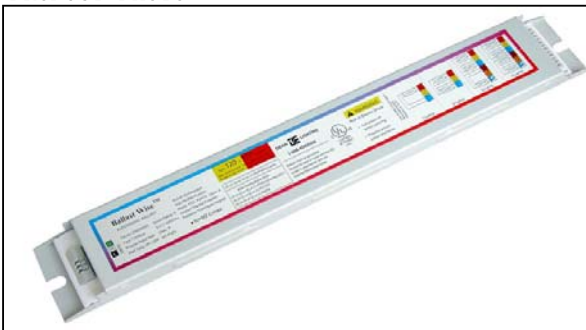
PHYSICAL CHARACTERISTICS

	CASE DIMENSIONS									
	UNITS	M		L		W		H		
	INCHES	16.20		16.88		2.40		1.00		
	TOL (+/-)	0.05		0.05		0.05		0.05		
CONNECTOR WIRETRIP										
COLOR	BLACK	WHITE	GREEN	RED	YELLOW	BLUE	BROWN	ORANGE	BLUE/WHITE	
NUMBER	1	1	1	2	2	2	2	2	2	

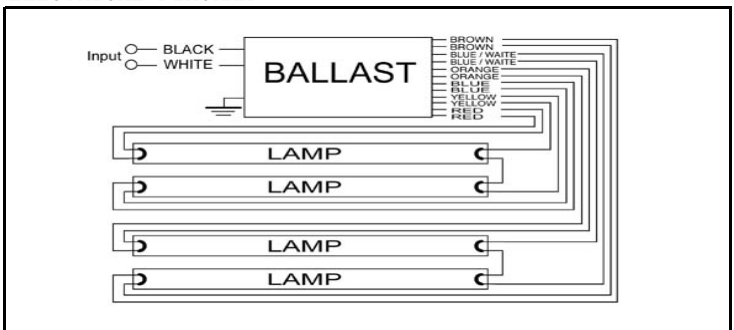
CARTON CHARACTERISTICS

UNITS/CARTON	CARTONS/LAYER	#OF LAYER	UNITS/PALLET	PIECE WEIGHT	CARTON WEIGHT	PALLET WEIGHT
12				1.8 lbs	22.5 lbs	
CARTONS/PALLET	CARTON DIMENSIONS	PALLET DIMENSIONS				
	16.9 x 7.6 x 4.4	PALLET DIMENSIONS LOADED, INCLUDING WOOD PALLET				

PRODUCT PHOTO



ELECTRICAL DIAGRAM



PRODUCT LABEL

Ballast Wise™ ELECTRONIC BALLAST Cat No: DXE4HO5U Sound Rating: A Type 1 Outdoor O.C.V. 450Vrms Program Rapid Start Class P Start Temp. 0°F/-120°F NO PCB's	End of Life Protection Auto Re-Start Function Meets FCC Part18, class A Inherent Thermal Protection Protection Thermiques Integrees • tc=90°C max	120 to 277V Max. Line Current: 1.25A @ 277V AC Power Factor >0.99 Also Compatible With (4) or (3) or (2) or (1) F54T5HO Lamp (4) or (3) or (2) or (1) FT55w/50w/36w/2011 (4) or (3) or (2) or (1) FC12T5 (4) or (3) or (2) or (1) F58T8	DEXIN LIGHTING 1-866-4DEXIN8 Ballast must be grounded Ground to case or input terminal (3) Install in accordance with the National Electrical Code	WARNING Risk of Electric Shock • Turn power off before servicing • Properly ground ballast and fixture Use 18 AWG Solid Copper Wire Rated 900V Shipped to 0.33"	
---	--	---	--	--	--

