

BallastWise



FLUORESCENT BALLAST SPECIFICATIONS 0-10V Electronic Dimming Ballast

DESCRIPTION

CATALOG	TYPE	STARTING METHOD	DIMMING METHOD	NUMBER OF LAMPS	LAMP TYPE
DXE4HO5UD	Electronic	Program Rapid Start	0-10V	4	F54T5HO

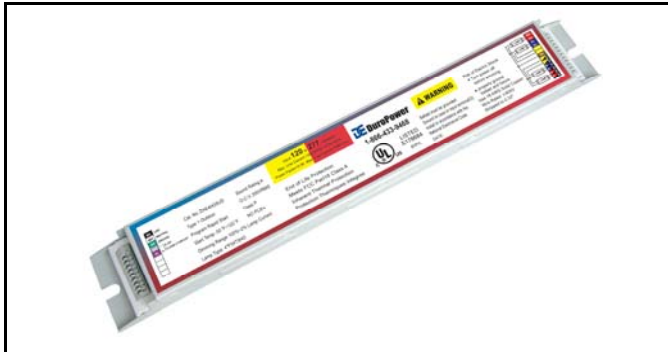
ELECTRICAL CHARACTERISTICS

INPUT VOLTAGE	LAMP WATTS	INPUT WATTS	INPUT CURRENT	PF	FREQUENCY	SOUND RATED		
120V to 277V	54W	241W/47W	2.02A/0.39A	>0.99	50/60HZ	A		
MIN START TEMP	CLASS	TYPE	BALLAST FACTOR	OCV	BEF	THD	DIMMING RANGE	NO PCB'S
50°F~120°F	P	1 Outdoor	1.00	300VRMS	0.415	<10%	100%~2%	

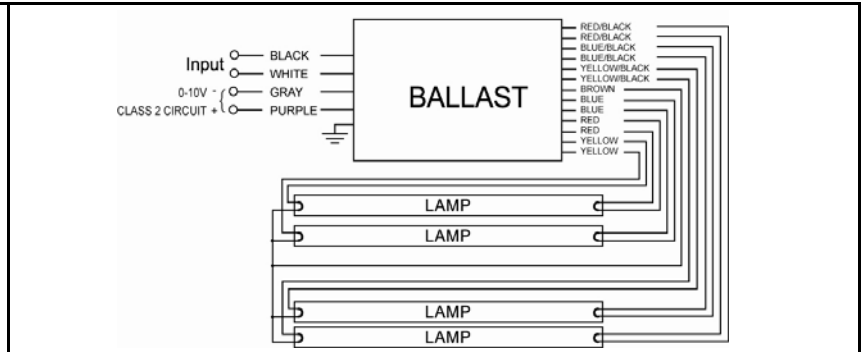
PHYSICAL CHARACTERISTICS

	CASE DIMENSIONS										
	UNITS	M	L	W	H						
	INCHES	16.20	16.88	2.25	1.00						
	TOL.(+/-)	0.05	0.05	0.05	0.05						
CONNECTOR WIRETRIP											
COLOR	BLACK	WHITE	GREEN	RED	BLUE	YELLOW	BROWN	YELLOW/ BLACK	BLUE/ BLACK	RED/ BLACK	
NUMBER	1	1	1	2	2	2	1	2	2	2	

PRODUCT PHOTO



ELECTRICAL DIAGRAM



PRODUCT LABEL

<p> BLK LINE WH NEUTRAL GN GROUND GRY 0-10V PUR CLASS 2 CIRCUIT </p>	<p> Cat. No.:DXE4HO5UD Type 1 Outdoor Program Rapid Start Start Temp.:50 °F~120 °F Dimming Range 100%~2% Lamp Current Lamp Type: 4*F54T5HO </p>	<p> Sound Rating A O.C.V.:300VRMS Class P NO PCB's </p>	<p> Input 120 to 277 v 50/60Hz Max. Line Current 120v/2.02A 277v/0.39A Power Factor>0.99 Max. Line Current THD<10% </p>	<p> DuroPower 1-866-433-9468 LISTED E178684 61FK </p>	<p> WARNING Risk of Electric Shock • Turn power off before servicing • properly ground ballast and fixture Use 18 AWG Solid Copper Wire Rated ≥600V Stripped to 0.33" </p>	
---	--	--	---	---	---	--