

BallastWise[®]



FLUORESCENT BALLAST SPECIFICATIONS

DESCRIPTION

CATALOG	TYPE	STARTING METHOD	NUMBER OF LAMPS	LAMP TYPE
DXE 696HO121	Electronic	Instant Start	6	F96T12HO, F84T12HO, F72T12HO, F64T12HO, F60T12HO, F48T12HO

ELECTRICAL CHARACTERISTICS

INPUT VOLTAGE	LAMP WATTS	INPUT WATTS	INPUT CURRENT	OCV	PF	FREQUENCY	SOUND RATED
120V	95W, 100W, 85W, 80W, 75W, 60W	521W	4.72A	600VRMS	0.95	60HZ	A
MIN START TEMP	CLASS	TYPE	BALLAST FACTOR	BEF	THD (3)	NO PCB'S	
-20° F / -28.8°C	P	1 Outdoor	0.88	0.169	<30%		

PHYSICAL CHARACTERISTICS

CASE DIMENSIONS									
UNITS	M	X	L	W	H				
INCHES	18.5	2.4	19.25	3.19	2.19				
TOL (+/-)	0.05	0.05	0.05	0.05	0.05				
LEAD LENGTH									
UNITS	BLACK	WHITE	RED	YELLOW	RED/WHITE	BLUE	BROWN	BLUE/WHITE	
INCHES	1×44	1×44	1×68	1×68	1×68	2×44	2×44	2×44	
TOL (+/-)	.+3/8, -0	.+3/8, -0	.+3/8, -0	.+3/8, -0	.+3/8, -0	.+3/8, -0	.+3/8, -0	.+3/8, -0	.+3/8, -0

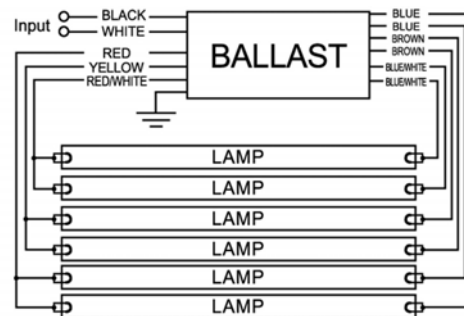
CARTON CHARACTERISTICS

UNITS/CARTON	CARTONS/LAYER	#OF LAYER	UNITS/PALLET	PIECE WEIGHT	CARTON WEIGHT	PALLET WEIGHT
CARTONS/PALLET	CARTON DIMENSIONS	PALLET DIMENSIONS	PALLET DIMENSIONS LOADED, INCLUDING WOOD PALLET			

PRODUCT PHOTO



ELECTRICAL DIAGRAM



Ballast Wise[™] ELECTRONIC BALLAST Cat No. DXE696HO121 Type 1 Outdoor Instant Start Start Temp. 0°F-120°F	Input: 120V/60Hz Max Line Current: 4.72A Power Factor: 0.95 Lamp Type: F96T12HO/95W, F84T12HO/100W, F72T12HO/85W, F64T12HO/80W, F60T12HO/75W	 LISTED E178684 61FK DEXIN LIGHTING 1-866-4DEXIN8	WARNING Risk of Electric shock • Turn power off before servicing • Properly ground ballast and fixing	

