

BallastWise[®]



FLUORESCENT BALLAST SPECIFICATIONS

DESCRIPTION

CATALOG	TYPE	NUMBER OF LAMPS	LAMP TYPE
DXE70HID1	Electronic	1	MH Lamp 70W

ELECTRICAL CHARACTERISTICS

INPUT VOLTAGE	LAMP WATTS	INPUT WATTS	INPUT CURRENT	PF	FREQUENCY	SOUND RATED
120V	70W	78W	0.72A	>0.90	60Hz	A
START TEMP	CLASS	TYPE	BALLAST FACTOR	BEF	THD (1)	NO PCB'S
0°F ~ 120°F	P	1 Outdoor	1.00	1.282	<25%	

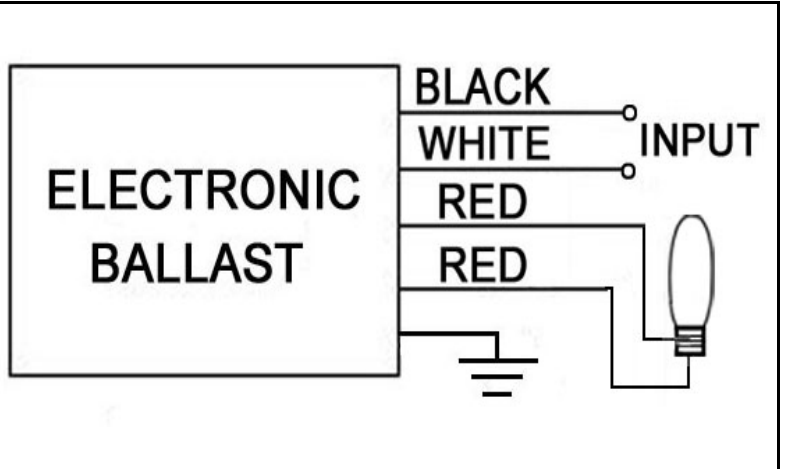
PHYSICAL CHARACTERISTICS

CASE DIMENSIONS					
UNITS	M	L	W	H	
INCHES	5.00"	5.20"	3.19"	1.57"	
TOL (+/-)	0.39	0.39	0.39	0.39	
LEAD LENGTH					
UNITS	BLACK	WHITE	RED	RED	
INCHES	14.17"	14.17"	14.17"	14.17"	
TOL (+/-)	0.39	0.39	0.39	0.39	

PRODUCT PHOTO



ELECTRICAL DIAGRAM



PRODUCT LABEL

BallastWise[™]

ELECTRONIC BALLAST
MODEL NO. : DXE70HID1

Input Voltage: 120V/60Hz
Input Current: 0.72A
Input Power: 78W
High Power Factor

Type 1 Outdoor 3THD: <25%
Sound Rating: A Class: P
No PCB'S
Start Temp: 0°F~120°F
MH Lamp: 70W

Note:

- Do not install insulation around ballast sides.
- Max. Mounting distance: 118".
- Ballast case must be grounded.
- Maximum case temperature is 158°F.
- Use 4.0kV pulse rated lampholder.

DATE:

CAUTION:

- DISCONNECT POWER BEFORE SERVICING.
- DO NOT CONNECT LAMP LEADS TO NEUTRAL.

LISTED
E178684
61FK
DEXIN LIGHTING
1-866-4DEXIN8