

# BallastWise<sup>®</sup>



## FLUORESCENT BALLAST SPECIFICATIONS

### DESCRIPTION

CATALOG	TYPE	STARTING METHOD	NUMBER OF LAMPS	LAMP TYPE
DXE70HIDU1	Electronic	Soft Start	1	MH/CDM/HPS Double Ended/HQI lamp

### ELECTRICAL CHARACTERISTICS

INPUT VOLTAGE	LAMP WATTS	INPUT WATTS	INPUT CURRENT	OCV	PF	FREQUENCY	SOUND RATED
90V~265V	70W	79W	0.89A~0.30A	5.0KVRMS	0.99	50Hz/60Hz	A
MIN START TEMP	CLASS	TYPE	BALLAST FACTOR	Crest Factor	THD	NO PCB'S	
-40°F / -40°C	P	1 Outdoor	1.00	<1.6	<10%		

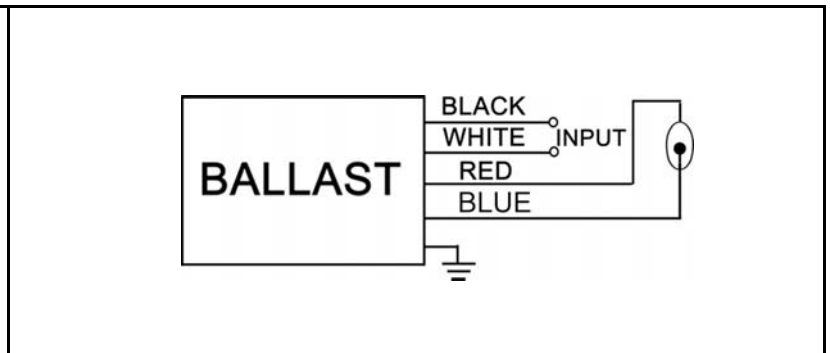
### PHYSICAL CHARACTERISTICS

	CASE DIMENSIONS					
	UNITS	M1	M2	L	W	H
	INCHES	3.82	2.46	4.33	2.97	1.22
TOL (+/-)	0.05	0.05	0.05	0.05	0.05	0.05
CONNECTOR WIRETRIP						
COLOR	BLACK	WHITE	GREEN	RED	BLUE	
NUMBER	1	1	1	1	1	1

### PRODUCT PHOTO



### ELECTRICAL DIAGRAM



### PRODUCT LABEL

**ELECTRONIC BALLAST**  
MODEL NO. : DXE70HIDU1

Input Voltage: 90V~265V, 50/60Hz  
Input Current: 0.89A~0.30A  
Input Power: 79W  
Power Factor: ≥0.99  
Line Current THD: <10%

Type 1 Outdoor      Class P  
Sound Rating A      TYPE HL  
No PCB'S  
Start Temp.: -40°F~-140°F  
Lamp TYPE: 70W MH / CDM / HPS  
Also Compatible With Double-Ended / HQI LAMP

**Note:**

- Do not install insulation around ballast sides.
- Max. Mounting distance: 50ft.
- Ballast case must be grounded.
- Maximum case temperature is 185°F.
- Use 5.0kV pulse rated lampholder.

Use 18 AWG Solid Copper  
Wire Rated ≥6kV  
Stripped to 0.33"

BL	LAMP
RD	
G	GREEN
N	WHITE
L	BLACK

DATE: \_\_\_\_\_

**CAUTION:**

- DISCONNECT POWER BEFORE INSTALLING OR SERVICING.
- DO NOT CONNECT LAMP LEADS TO NEUTRAL.

**DuroPower**  
1-866-433-9468

LISTED  
E178684  
61FK