

BallastWise®



ELECTRONIC TRANSFORMER SPECIFICATIONS

DESCRIPTION

CATALOG	TYPE	STARTING METHOD	LAMP TYPE
DXH35H1	Electronic	Rapid Start	For Use With 12V Halogen Lamp only

ELECTRICAL CHARACTERISTICS

INPUT VOLTAGE	OUTPUT VOLTAGE	OUTPUT WATTS	OUTPUT CURRENT	LAMP WATTS	PF	FREQUENCY	SOUND RATED
120V	11.6V	40W	0.33A	<40W	>0.95	50/60HZ	A
Ta	Tc	EFFICIENCY	CLASS	THD(1)	RIPPLE	Short Circuit & Overload Protection	
40°C max	85°C max	>0.95	A	<20%	<1%	NO PCB'S	

PHYSICAL CHARACTERISTICS

	CASE DIMENSIONS				
	UNITS	M	L	W	H
	INCHES	3.16	3.36	1.85	1.00
	TOL (+/-)	0.05	0.05	0.05	0.05
	LEAD LENGTH				
	UNITS	BLACK	WHITE	RED	BLUE
INCHES	1×1.00	1×1.00	1×1.00	1×1.00	
TOL (+/-)	+ 3/8, - 0	+ 3/8, - 0	+ 3/8, - 0	+ 3/8, - 0	

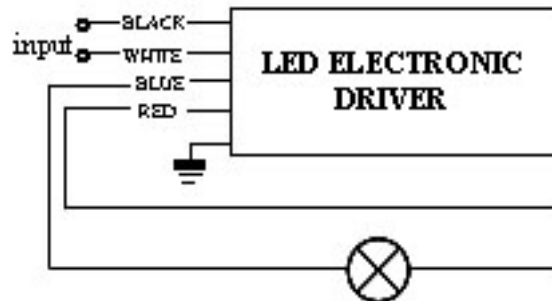
CARTON CHARACTERISTICS

UNITS/CARTON	CARTONS/LAYER	#OF LAYER	UNITS/PALLET	PIECE WEIGHT	CARTON WEIGHT	PALLET WEIGHT
56				0.31 lbs	18.6 lbs	
CARTONS/PALLET	CARTON DIMENSIONS	PALLET DIMENSIONS	PALLET DIMENSIONS LOADED, INCLUDING WOOD PALLET			
	14.8×12.8×5.9					

PRODUCT PHOTO



ELECTRICAL DIAGRAM



PRODUCT LABEL

<p style="text-align: center;">ELECTRONIC TRANSFORMER</p> <p>MODEL:DXH35H1</p> <p>Input:120V/60Hz</p> <p>Output:12VAC 40VA MAX.</p> <p>Power Factor >0.95</p> <p>Start Temp:0°F -120°F</p> <p>Tc:80°C max.</p> <p>For Use With 12V Halogen Lamp only.</p> <p style="text-align: center;">DEXIN® LIGHTING 1-866-4DEXIN8.</p> <p style="text-align: center;"> E178684</p>
